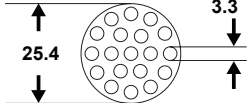
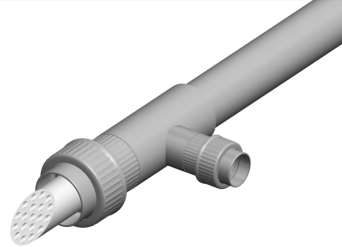
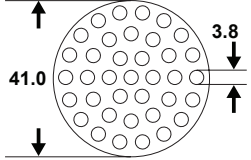
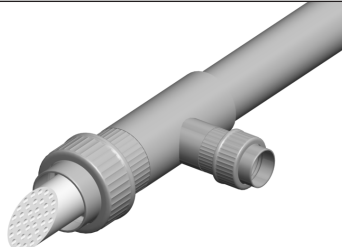
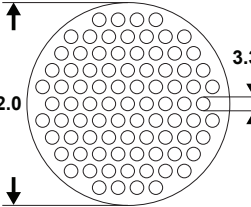


Plastic Housings with Ceramic Membranes

Technical Data

Material:	PVC-C
Max. Pressure:	PN 10
Max. Temperature:	80°C

Type of Module	Membrane Design	Available Membranes (m ²)	Illustration
M1-PVC-C 19/3.3-1200		1/16 (0.06) 7/6 (0.16) 19/3.3 (0.24) 37/2 (0.28)	
M1-PVC-C 37/3.8-1200		19/6 (0.43) 37/3.8 (0.53) 61/2.5 (0.58)	
M1-PVC-C 85/3.3-1200		19/8 (0.58) 85/3.3 (1.06)	